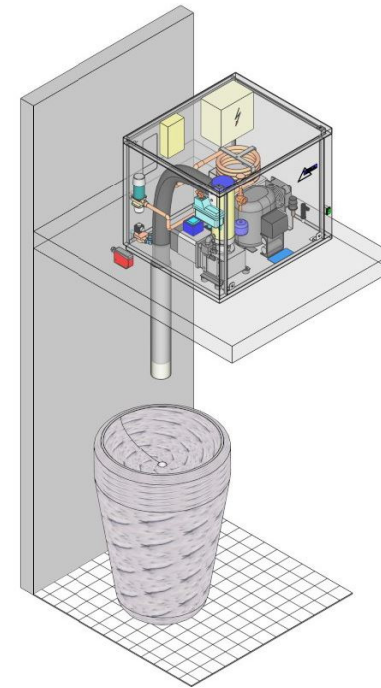
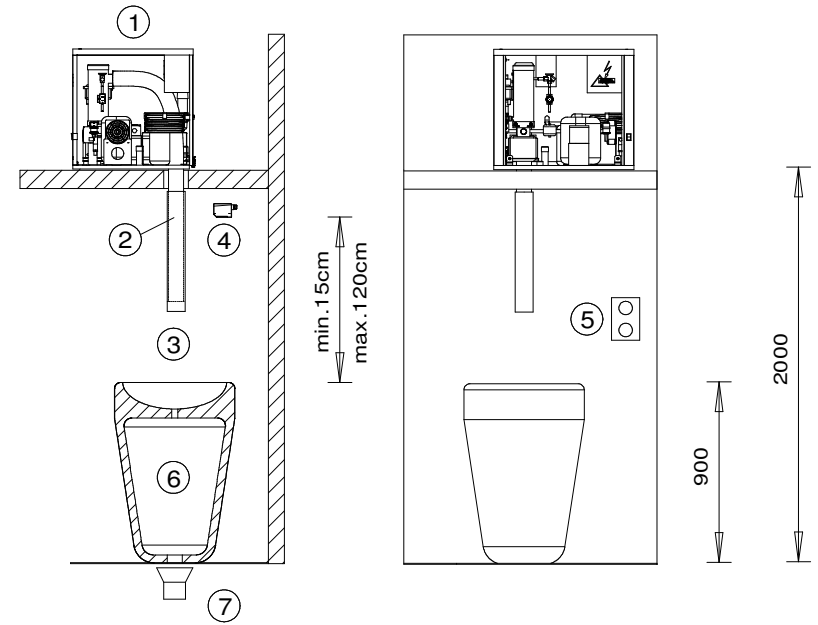


- A: freezing unit
- B: ice outlet insulated
- C: control panel
- D: ON/OFF switch
- E: electric connection
- F: water inlet G 3/4"
- G: overflow Ø14mm
- H: cooling water inlet G 1/2"
- K: cooling water outlet G 1/2"



- 1: ice machine
- 2: ice tube Ø54mm, insulated Ø75mm
- 3: stainless steel pipe Ø88,9x2x600mm
- 4: reflexion light scanner
- 5: ON/OFF switch external
- 6: ice bowl (by customer)
- 7: melt water drain (by customer)

This drawing is the property of
ZIEGRA-Eismaschinen GmbH
and may not be reproduced, made available to third parties, or
used for promotional purposes without express permission.

	Datum	Name	450.749.00	Maßstab:	A3	Ice machine ZBE 70 W - ZBE 350 W Sauna Installation
Bearb.	20.08.14	BÖ		1:10		
Gepr.						
Gepr.						
			45074900	ZIEGRA EISMASCHINEN		