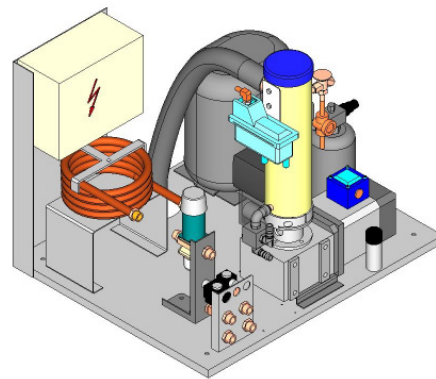
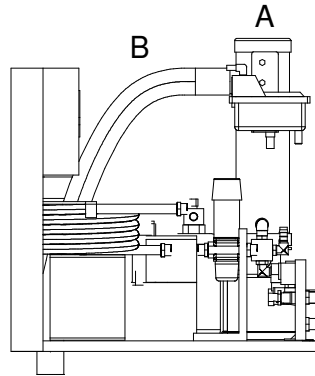
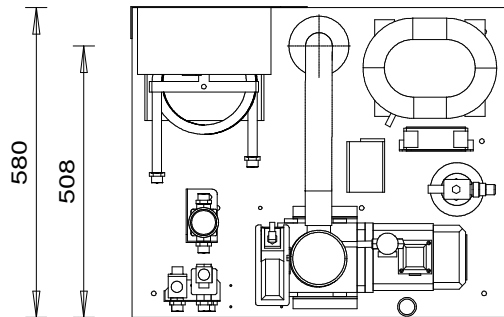
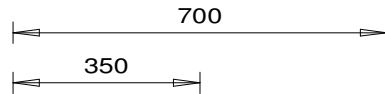
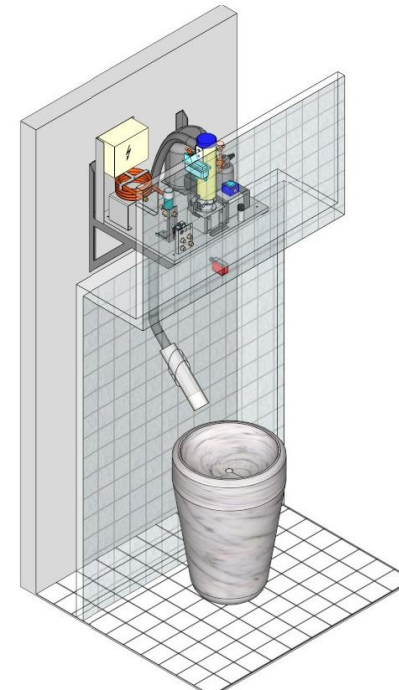
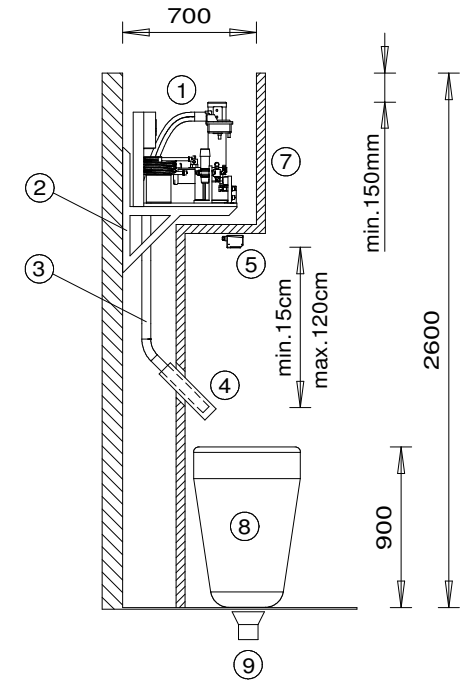
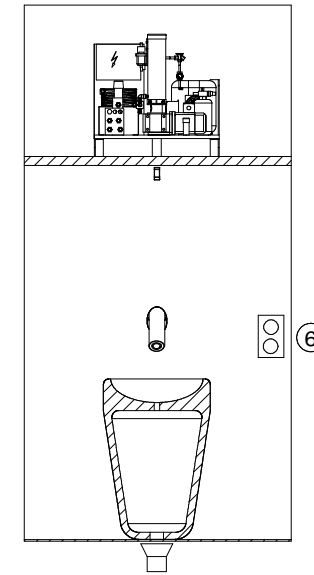


D,E,F,G,H



- A: freezing unit
- B: ice outlet insulated
- C: control panel with ON/OFF switch
- D: electric connection
- E: water inlet G 3/4"
- F: overflow Ø14mm
- G: cooling water inlet G 1/2"
- H: cooling water outlet G 1/2"



- 1: ice machine
- 2: wall bracket
- 3: ice tube Ø54mm, insulated Ø75mm
- 4: stainless steel pipe Ø88,9x2x600mm
- 5: reflexion light scanner
- 6: ON/OFF switch external
- 7: inspection plate (by customer)
- 8: ice bowl (by customer)
- 9: melt water drain (by customer)

This drawing is the property of
ZIEGRA-Eismaschinen GmbH
and may not be reproduced, made available to third parties, or
used for promotional purposes without express permission.

	Datum	Name	Maßstab:	
Bearb.	05.06.14	BÖ	450.741.00	1:10
Gepr.				A3
Gepr.			ZIEGRA EISMASCHINEN	
	45074100			

Ice machine
ZBE 70 W - ZBE 350 W
Sauna Installation